

BrightLase[®] Ultra-100

Features

- 792, 808, 888, 976, 1470, 1700 nm
- Custom Wavelengths available
- Detachable fiber 100µm, 200µm, 400µm and 600µm
- Dichroic filter protection available
- Cladding-free power
- Conductively cooled package
- Thermistor Standard
- Aiming Beam, photodiode (Option)
- DB15 Connector interface



Applications

- High performance pumping of solid state and fiber lasers
- Materials processing: Soldering, Plastic welding
- Medical: Dental, Ophthalmology, Therapeutic

Benefits

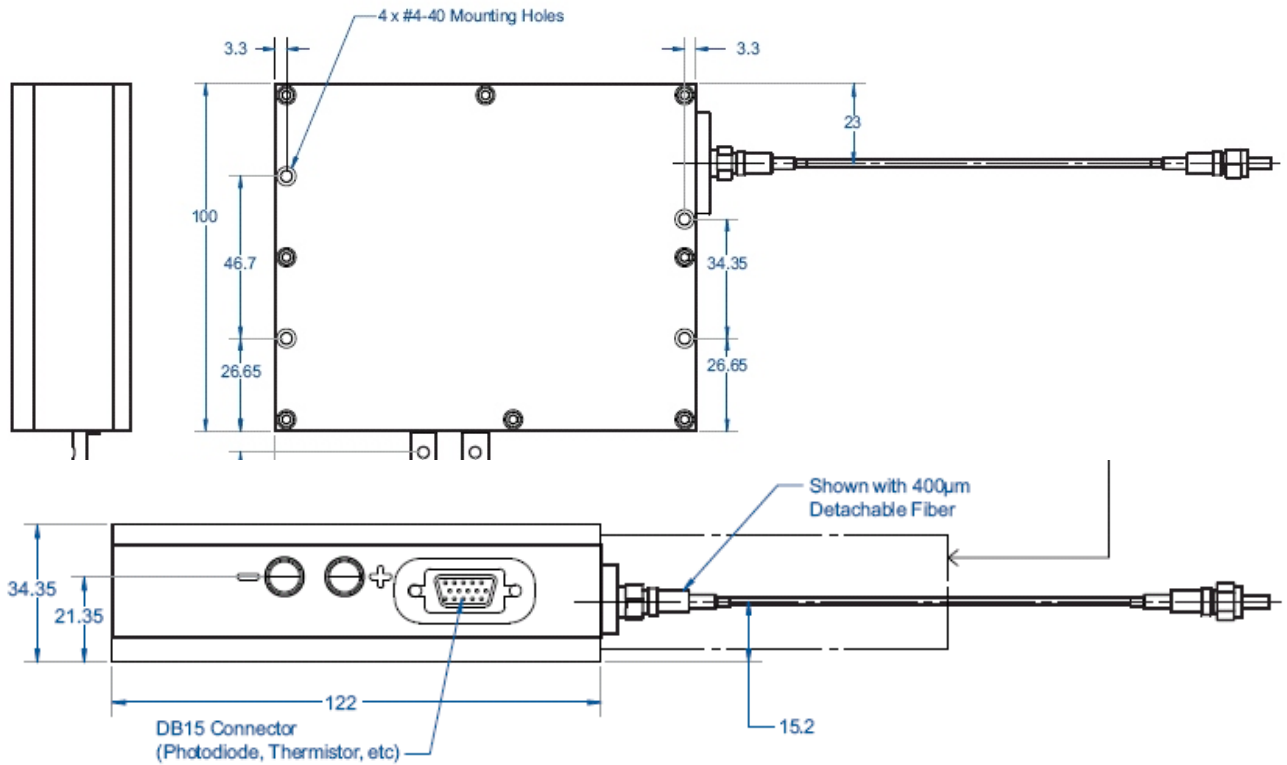
- Compact
- Long lifetime
- High efficiency
- Insensitivity to back-reflection for materials processing

Specification	Units	6207-0001	6208-0006	6209-0009	6210-0003	6214-0002	6217-0002
Output Power (Pop)	W	80	100	150	135	45	30
Operating Current (Iop) (Max)	A	< 50	< 55	<75	<70	< 55	<45
Operating Voltage (Vop) (Max)	V	< 5.5	< 5.5	<4.8	<4.8	< 4	<4
E-O efficiency (Typical)	%	40	40	47	47	30	20
Center wavelength	nm	792	888	976	1064	1470	1700
Center Wavelength Tolerance	nm	± 3	± 3	± 3	± 10	± 10	± 10
Spectral Width (Max)	nm	< 4	< 5	< 5	<6	< 15	<20
Wavelength Coefficient of Temp	nm/° C	0.3	0.3	0.3	0.3	0.45	0.5
Operating Temperature (Top)	° C	20	25	25	25	20	20
Fiber Core Diameter	um	200	400	200	400	400	400
Fiber Core Numerical Aperture	No Units	0.22	0.22	0.22	0.22	0.22	0.22
Fiber Length	m	2	2	2	2	2	2
Fiber Output Connector	No Units	SMA	SMA	SMA	SMA	SMA	SMA

Warning: Class 4 Laser, Invisible Laser Radiation – Avoid Eye or Skin Exposure to Direct or Scattered Radiation.

For reference only. Product specifications may change without notice.

BrightLase[®] Ultra-100



Pin number	Assignment
1	Thermistor
2	Thermistor
3	Not used
4	Not used
5	Optional Monitor Photodiode +
6	Optional Monitor Photodiode -
7	Not used
8	Not used
9	Not used
10	Not used
11	Not used
12	Not used
13	Not used
14	Optional Aiming Beam DC +
15	Optional Aiming Beam DC -

