

BrightLock[®] Ultra-100

Features

- Up to 120 W at 976 nm and 40 W at 1532 nm
- Cladding free
- Detachable fiber
- Fiber delivery with or without armor
- Internal gratings for higher spectral brightness and wavelength stabilization
- Dichroic filter protection available

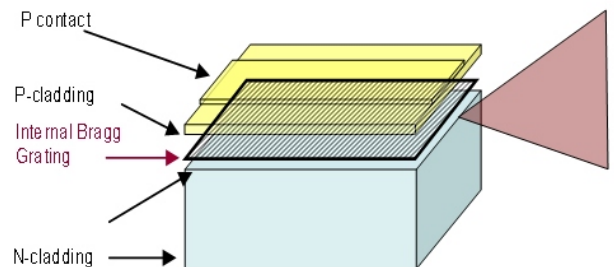


Applications

- Medical : Rb vapor pumping, Spectroscopy
- Industrial & Research : Athermal laser pumping

Benefits

- Athermal pumping
- Reduced system cooling cost
- Enhanced pump absorption
- Relaxed temperature control requirements

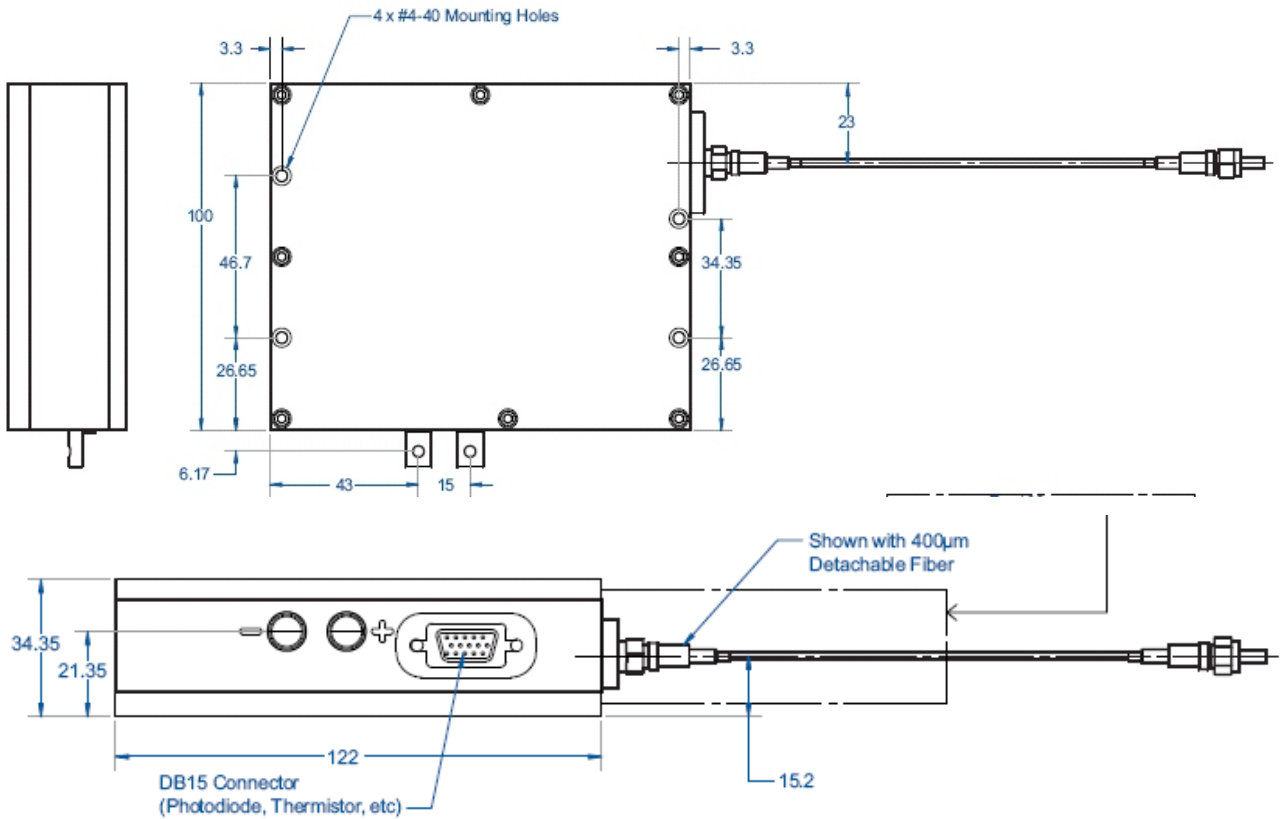


Specification	Units	6307-0002	6308-0005	6309-0000	6309-0001	6315-0003	6315-0002
Output Power (Pop)	W	75	120	75	120	25	40
Operating Current (Iop) (Max)	A	< 45	< 65	< 50	< 65	< 40	< 60
Operating Voltage (Vop) (Max)	V	< 5.4	< 5.3	< 5.5	< 5.7	< 3.8	< 4
Center wavelength	nm	794.7	880	976	976	1532	1532
Center Wavelength Tolerance	nm	± 0.3	± 1.5	± 1.5	± 1.5	± 2	± 2
Spectral Width (Max)	nm	< 0.4	< 1	< 1	< 1	< 2	< 2
Wavelength Coefficient of Temp	nm/° C	0.07	0.08	0.1	0.1	0.15	0.15
Operating Temperature (Top)	° C	22	25	25	25	25	25
Fiber Core Diameter	um	800	400	200	400	200	400
Fiber Core Numerical Aperture	No Units	0.22	0.22	0.22	0.22	0.22	0.22
Fiber Length	m	0.051	2	2	2	2	2
Fiber Output Connector	No Units	SMA	SMA	SMA	SMA	SMA	SMA
Module Dimensions	mm	122 x 100 x 34.35					

Warning: Class 4 Laser, Invisible Laser Radiation – Avoid Eye or Skin Exposure to Direct or Scattered Radiation.

For reference only. Product specifications may change without notice.

BrightLock[®] Ultra-100



Pin number	Assignment
1	Thermistor
2	Thermistor
3	Not used
4	Not used
5	Optional Monitor Photodiode +
6	Optional Monitor Photodiode -
7	Not used
8	Not used
9	Not used
10	Not used
11	Not used
12	Not used
13	Not used
14	Optional Aiming Beam DC +
15	Optional Aiming Beam DC -

