

BrightLock[®] Ultra-50

Features

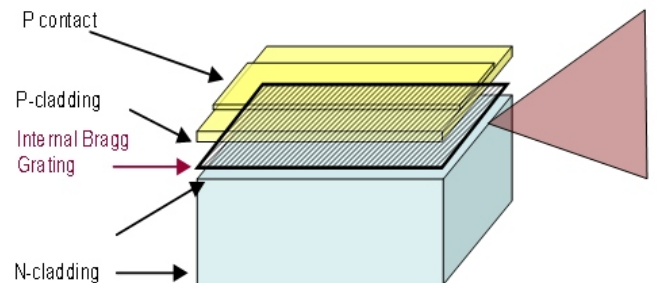
- Accurate center wavelength: 795, 808, 880, 976, 981, 1532, 1908 nm
- Narrowlinewidth
- Stabilized spectrum : Reduced sensitivity to temperature
- Detachable Fiber
- Fiber delivery with or without armor
- Dichroic filter protection available

Applications

- Fiber laser pumping
- Spectroscopy
- Rb Vapor pumping
- QCW and CW DPSS

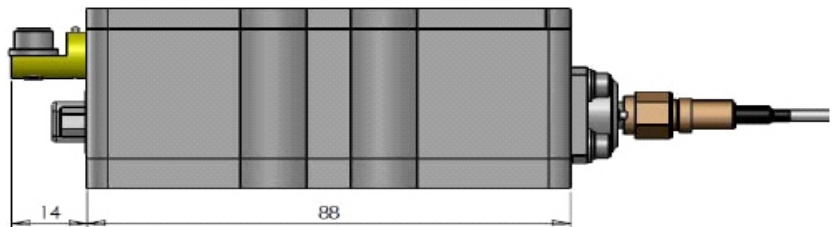
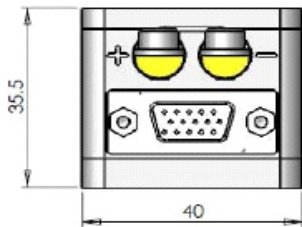
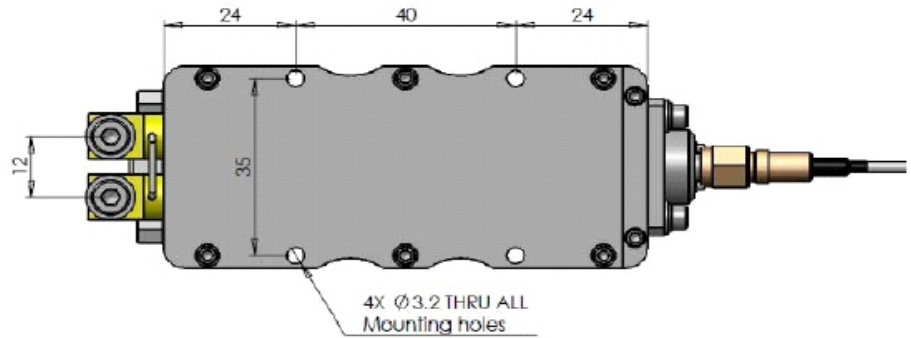
Benefits

- High performance from fiber lasers
- Reduced thermal requirements
- Athermal pumping
- Reduced system cooling cost
- Enhanced pump absorption
- Relaxed temperature control requirements



Specification	Units	6107-0000	6108-0000	6108-0007	6109-0000	6115-0000	6119-0000
Output Power (Pop)	W	25	30	40	25	15	6
Operating Current (Iop) (Max)	A	< 45	< 45	< 65	< 45	< 60	< 60
Operating Voltage (Vop) (Max)	V	< 1.8	< 1.8	< 1.8	< 1.7	< 1.3	< 1.3
Center wavelength	nm	795	808.5	880	976	1532	1908
Center Wavelength Tolerance	nm	± 1.0	± 1.0	± 1.5	± 1.5	± 1.5	± 2
Spectral Width (Max)	nm	< 0.3	< 0.5	< 0.7	< 0.7	< 1.5	< 3
Wavelength Coefficient of Temp	nm/° C	0.08	0.08	0.1	0.1	0.15	0.15
Fiber Core Diameter	um	400	400	400	200	400	400
Fiber Core Numerical Aperture	No Units	0.22	0.22	0.22	.22	0.22	0.22
Fiber Length	m	2	2	2	2	2	2
Fiber Output Connector	No Units	SMA	SMA	SMA	SMA	SMA	SMA
Operating Temperature (Top)	° C	20	20	20	20	20	20

BrightLock[®] Ultra-50



Pin number	Assignment
1	Not used
2	Not used
3	Optional Aiming beam power supply “+”
4	Optional Aiming beam power supply “+”
5	Optional Monitor Photodiode “+”
6	Optional Monitor Photodiode “-”
7	Not used
8	Not used
9	Not used
10	Not used
11	Not used
12	Not used
13	Not used
14	Thermistor
15	Thermistor

