

Sultra Series OEM Lasers

Easy Integration into End-User Systems

Includes:

- QPC Laser Module (Fiber Coupled)
- Cooling System
- Laser Driver
- Easy to Use Computer Interface (RS-232)
- Optional “Medica” features

Features

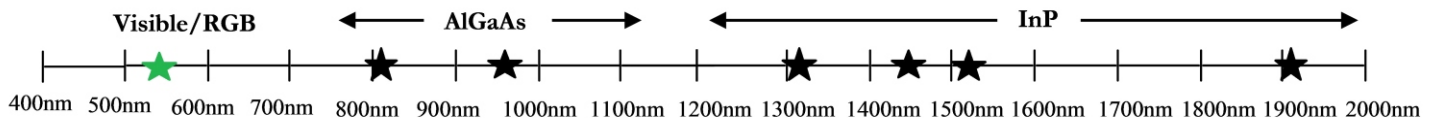
- High Power Stability
- Fast Rise Time
- CW and Pulsed Operation
- Safety Interlock
- Optional Power Monitoring Control (with integrated MPD)



Applications

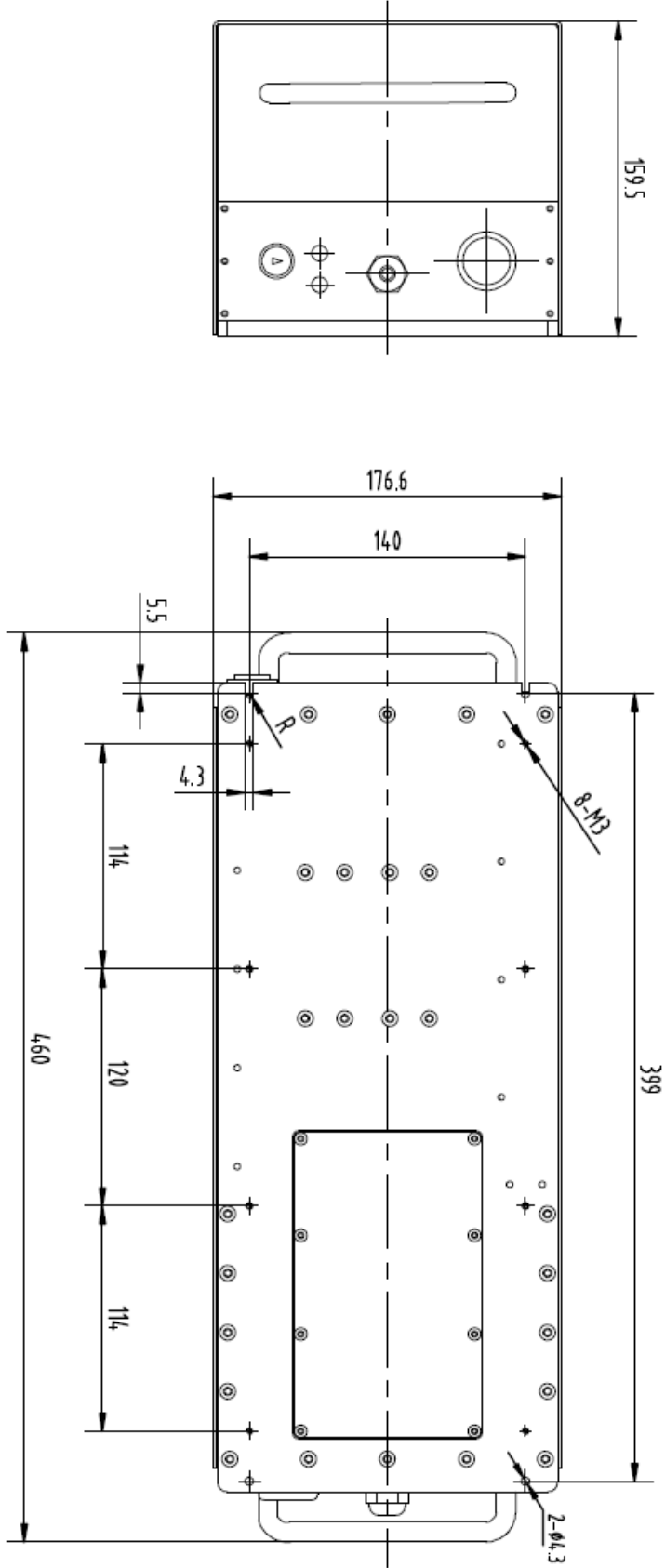
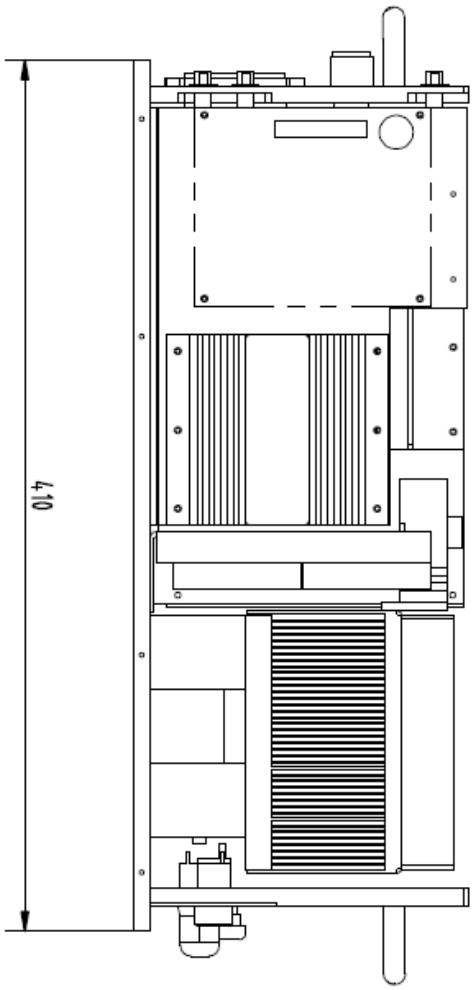
- Forensics
- Particle Counting
- Solar and LCD Panel Manufacturing
- OEM Medical Equipment
- Laser Pumping
- Materials Processing

Wavelength Availability



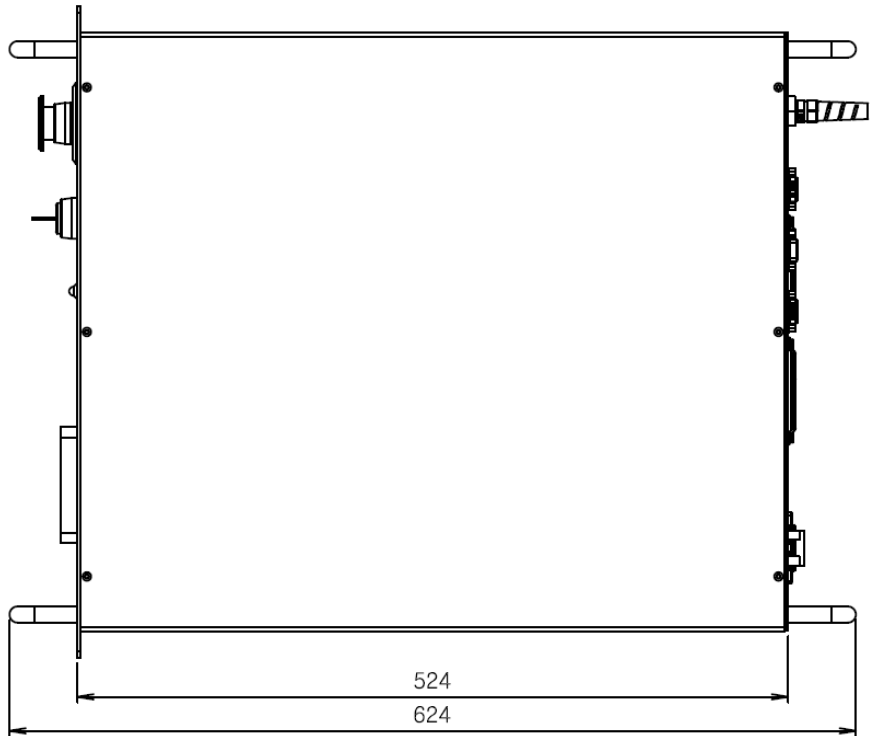
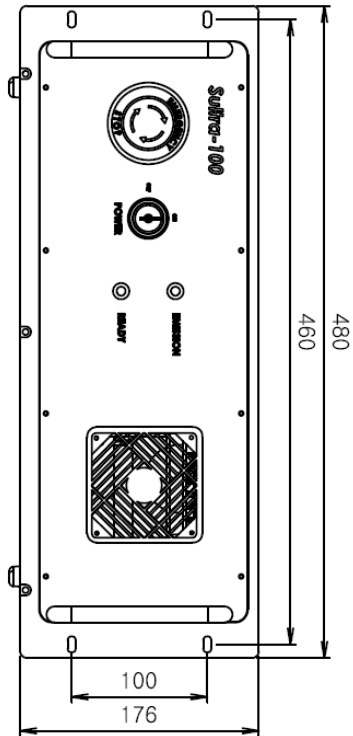
Laser Parameters	<i>SUltra50</i>	<i>SUltra100</i>
Power	3W – 50W	30W – 100W
Wavelength	532nm – 1908nm	808nm – 1908nm
Collimated	Optional Collimator to Customize Beam	Optional Collimator to Customize Beam
Fiber Coupled	50µm - 800µm	100µm - 800µm
Ambient Operating Temp	10C to 30C	10C to 30C
Rel. Humidity (non-condensing)	5 to 95%	5 to 95%
Mains Operating Voltage	100 to 230 VAC	100 to 230 VAC
Systems Dimensions (WxHxL)	177 x 160 x 410mm	524 x 176 x 480mm

Sultra-50 Series OEM Lasers

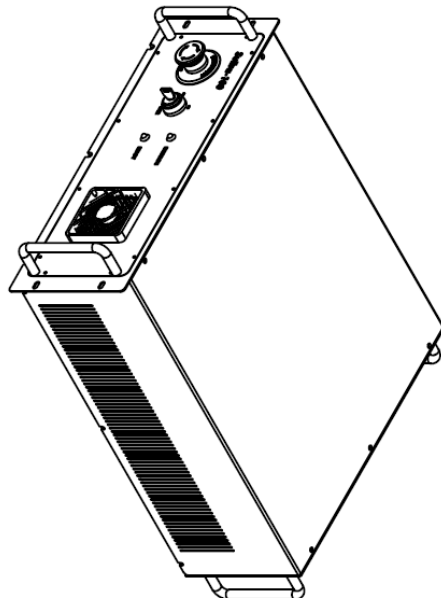
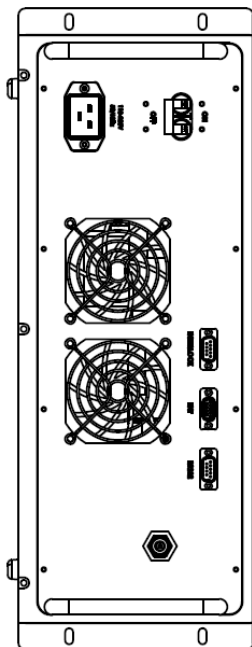


Sultra-100 Series OEM Lasers

FRONT VIEW



REAR VIEW



Warning : Class 4 Laser, Invisible Laser Radiation – Avoid Eye or Skin Exposure to Direct or Scattered Radiation.

For reference only. Product specifications may change without notice.