



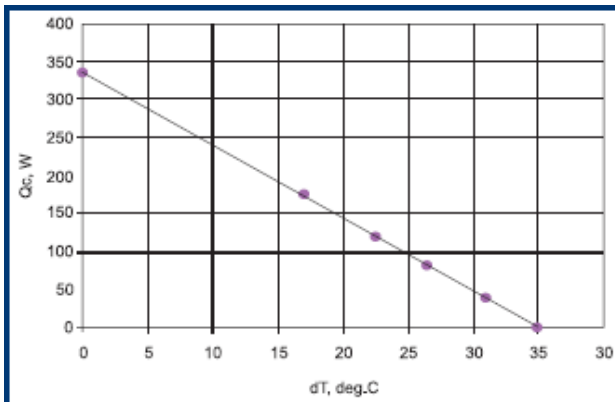
Ultra Therm 330W TEC Module

Features

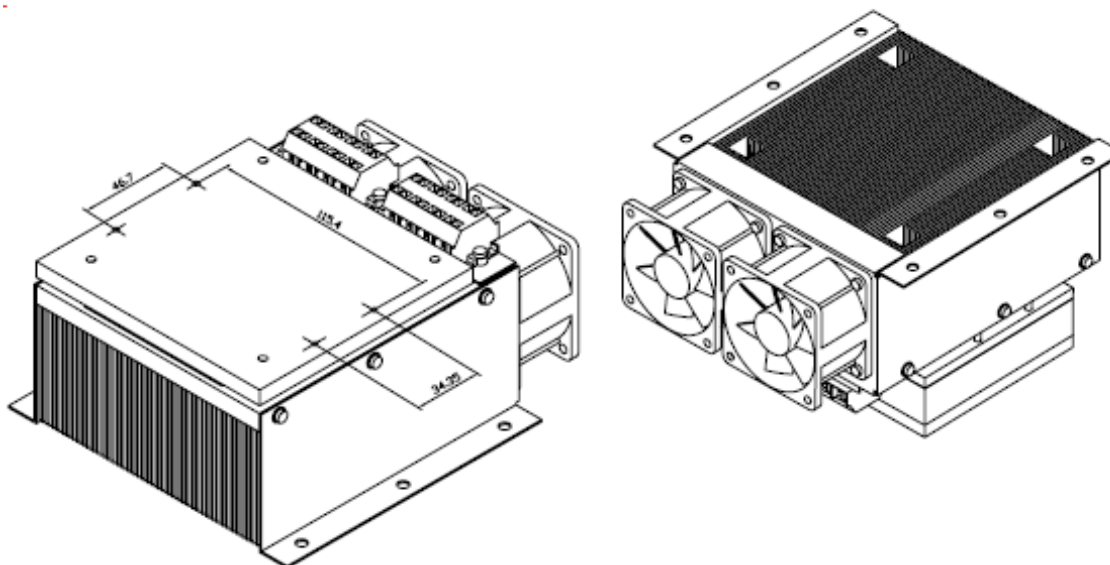
- Dissipates a maximum thermal load of 330 W
- Excellent Temperature Stability
- Feedback Electronics

Applications

- Forced-air cooling for Ultra Series modules in:
 - Laser products
 - Medical equipment
 - Semi-conductor processing
 - Defense applications



Model Number	9903-0005: 330W TEC Module
Physical dimensions (mm) (LxWxH)	188 x 162 x 92
Nominal Cooling Capacity	330W
Power Consumption	340W
Power Supply Voltage	22.8V
Power Supply Current	14.8A
Weight	4.8kg



Laser Operations LLC

15632 Roxford Street • Sylmar, CA 91342 • Phone + 1(818) 986-0000 • Fax: +1(818) 698-0428
www.QPCLasers.com • email: info@laseroperations.net